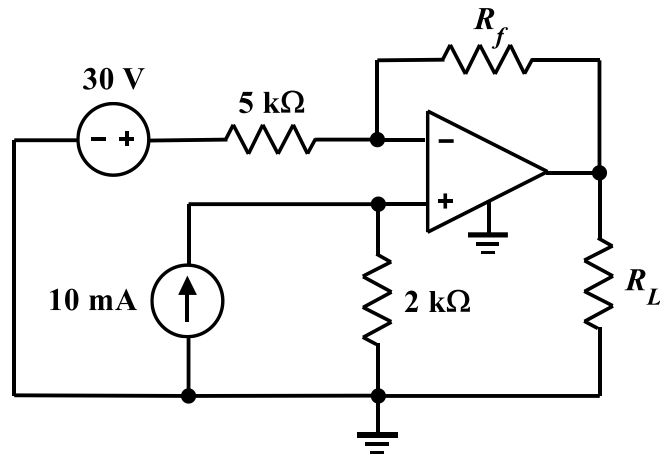


EE 2240
Homework Problem #055



The OpAmp is ideal. Determine the value of R_f that will cause R_L to absorb NO power (0W).